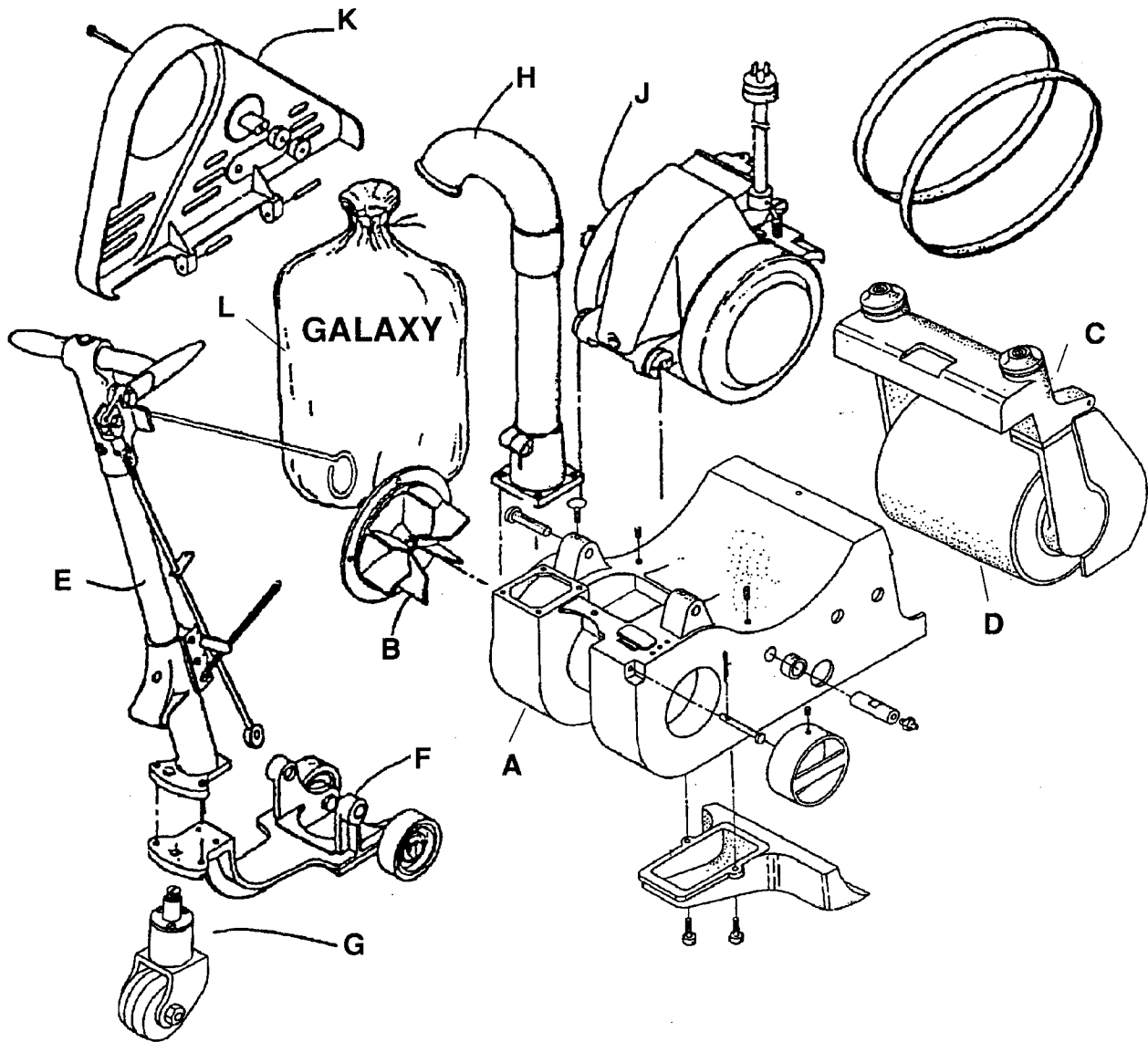
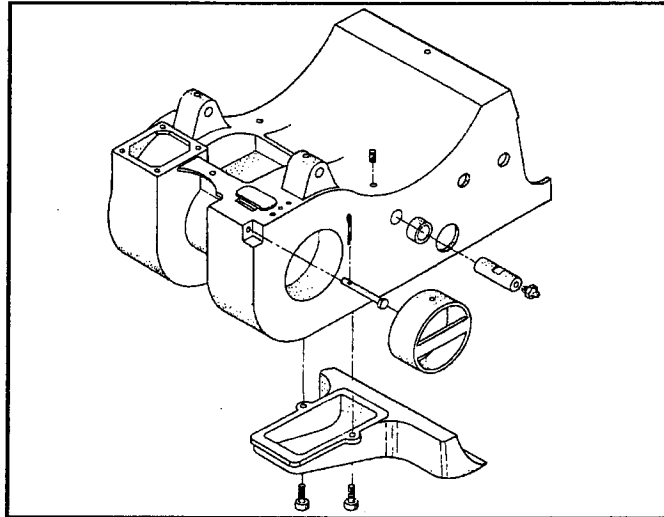

**GET TO KNOW YOUR GALAXY.
MACHINE SCHEMATICS**

- A. Frame Assembly**
- B. Fan Assembly**
- C. Drum Housing & Drum Covers**
- D. Drum Assembly**
- E. Control Lever and Spring Adjustments**
- F. Wheel Carriage Assembly**
- G. Rear Wheel Assembly**
- H. Dust Pipe and Elbow Assembly**
- I. Electrical**
- J. Motor**
- K. Drive Belt and Cover**
- L. Handles, Power Cord, Template & Dust Bag**

GALAXY FLOOR SANDER AN OVERVIEW

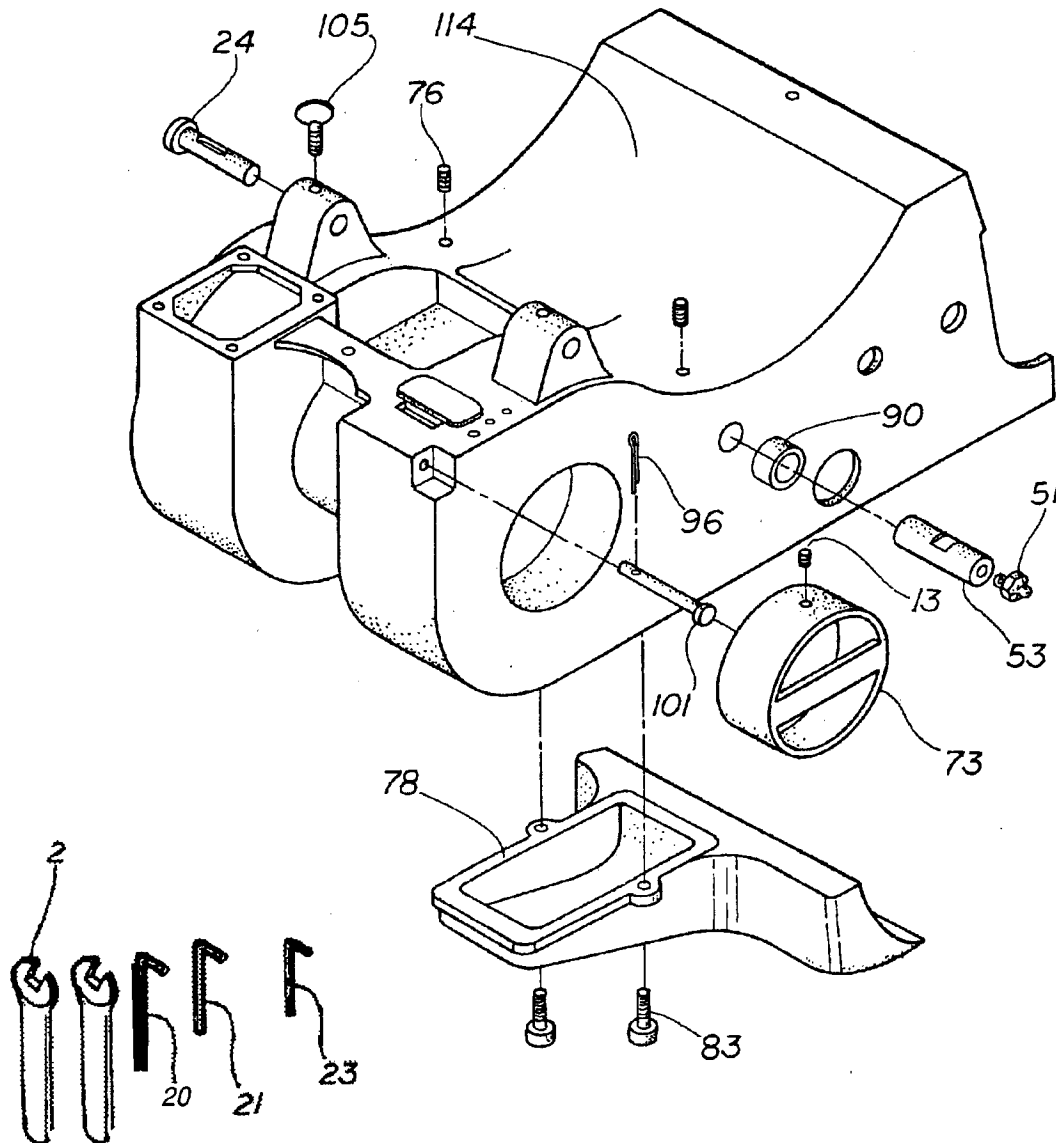


FRAME ASSEMBLY BREAKDOWN SECTION A

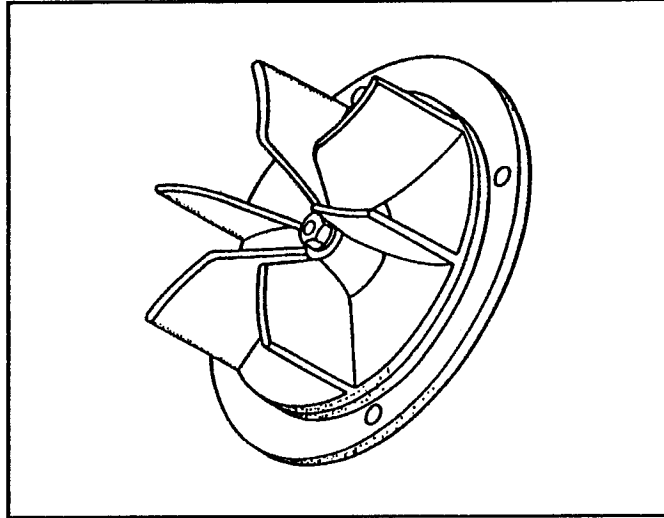


- | | |
|-----------------------------------|--|
| 2. Wrench - 7/16 Forged Steel - 2 | 76. Screw 3/8 - 16 x 1/2 - set - 2 |
| 13. Screw - 5/16 x 1/4 - set - 1 | 78. Pan - Dust - 1 |
| 20. Wrench - 1/4 -20 Allen -1 | 83. Screw 5/16 - 18 x 3/4 - set - 2 |
| 21. Wrench - 3/8 Allen - 1 | 90. Bearing - 2 |
| 23. Wrench - 3/32 Allen - 1 | 96. Pin - Cotter 3/32 x 3/4 - 1 |
| 24. Pin - Motor Release - 2 | 101. Pin - 1 |
| 51. Fitting - Grease - 2 | 105. Screw - 5/16 - 18 x 3/4 Thumb - 2 |
| 53. Shaft - Fulcrum - 2 | 114. Frame - 1 |
| 73. Cover - Clean Out - 1 | |

FRAME ASSEMBLY BREAKDOWN SECTION A

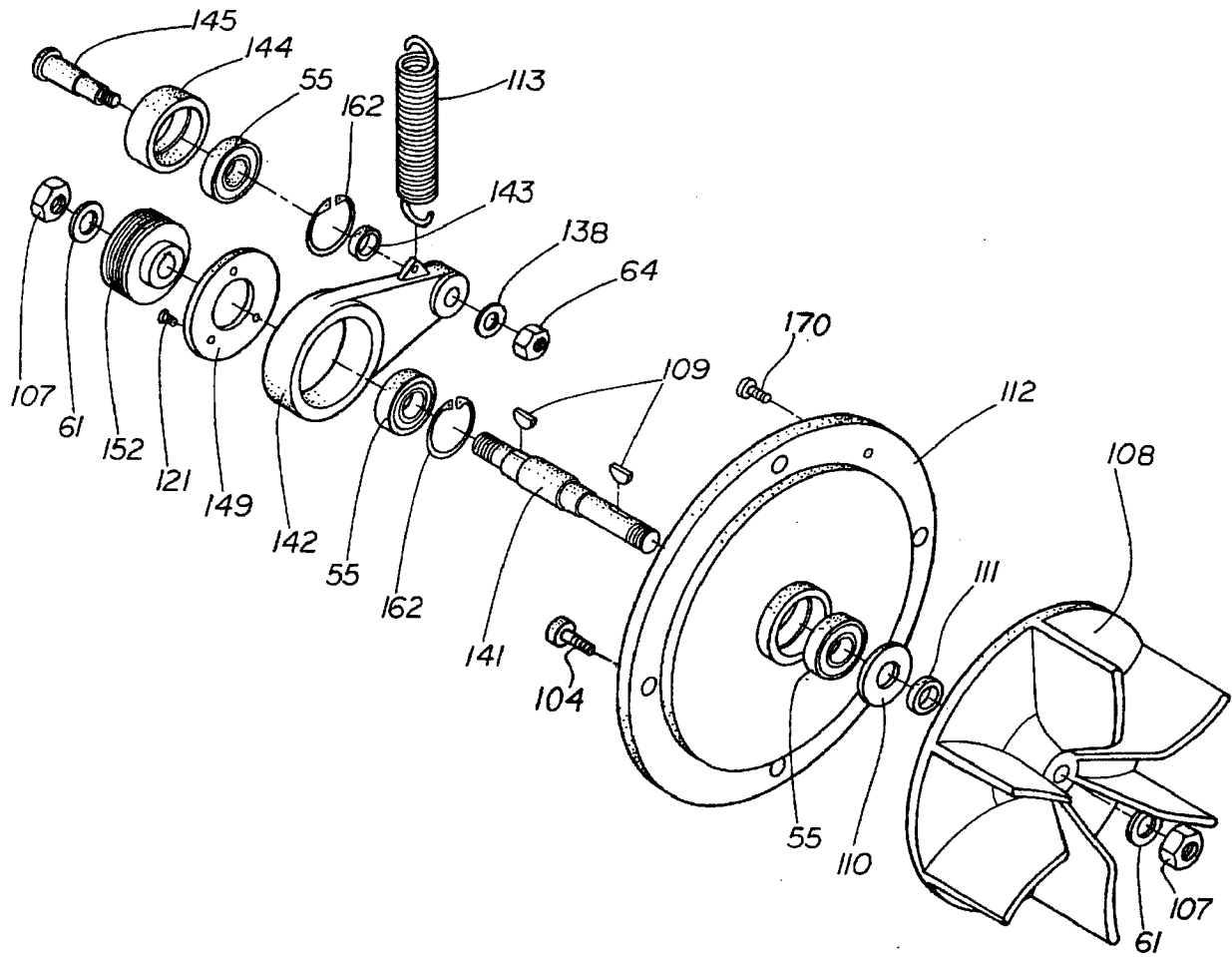


VACUUM FAN ASSEMBLY SECTION B

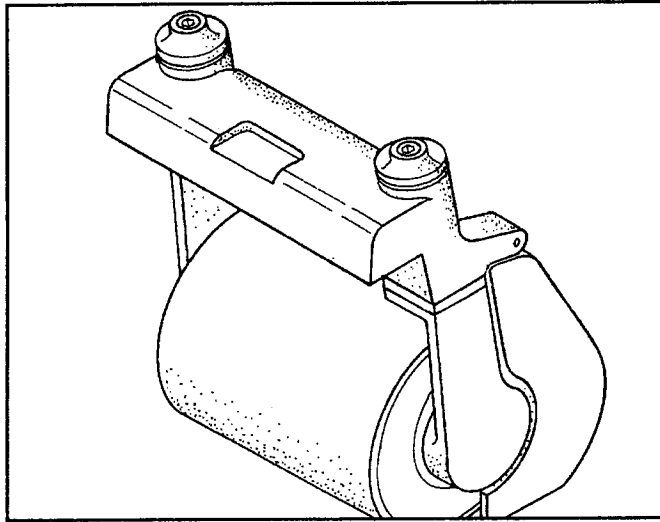


- | | |
|---|---|
| 55. Bearing - Ball 6202 2RS - 3 | 121. Screw - #8 - 32 x 1/2 F.H. Machined - 3 |
| 61. Washer - Shake-proof - 2 | 138. Washer - #1120 Shake-proof - 1 |
| 64. Nut - 3/8" - 24 hex Jam - 1 | 141. Shaft - Fan.
Hardened, Precision Ground - 1 |
| 104. 1/4 -20 x 5/8 Soc. Cap. - 4 | 142. Arm - Idler - 1 |
| 107. Nut 1/2" - 20 x 3/16 Hex Jam Special - 2 | 143. Spacer - Idler - 1 |
| 108. Fan - Vacuum - 1 | 144. Pulley - Idler - 1 |
| 109. Key - 1/8" x 1/2" Woodruff - 2 | 145. Shaft - Idler Pulley - 1 |
| 110. Seal - Bearing Dust - 1 | 149. Cover - Fan Bearing Retaining - 1 |
| 111. Collar - Fan - 1 | 152. Pulley - Fan - 1 |
| 112. Housing - Fan Bearing - 1 | 162. Ring - Retaining - 2 |
| 113. Spring - Idler Arm - 1 | 170. Screw - 10-24 x 3/8 R.H. |

FAN ASSEMBLY SECTION B

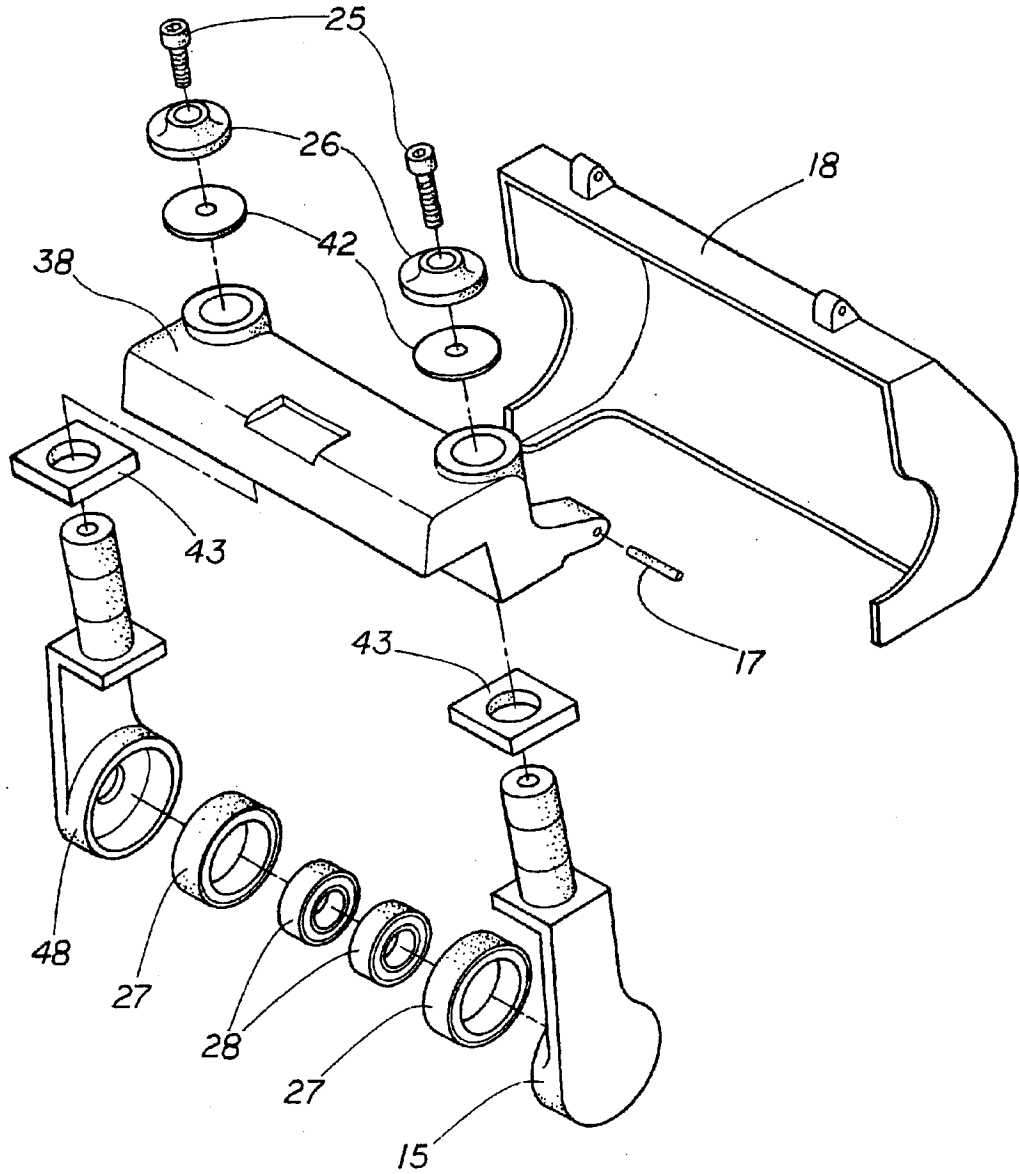


HOUSING - DRUM SECTION C

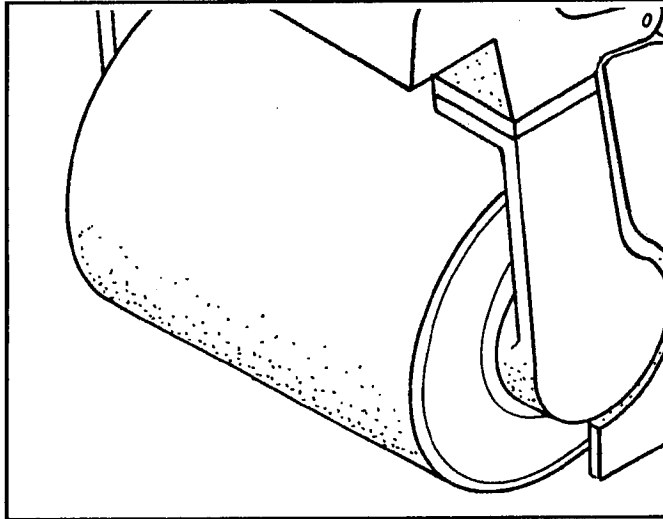


- | | |
|--|----------------------------------|
| 15. Arm - Right Drum - 1 | 28. Bearing - 6205 - 2 |
| 17. Pin - 1/2 x 2 Type 2 Groove - 2 | 38. Bracket - Drum Support - 1 |
| 18. Guard - Drum - 1 | 42. Washer - Drum Arm Rubber - 2 |
| 25. Screw - 7/16 -14x 1 1/2 Hex Hd - 2 | 43. Absorber - Shock - 2 |
| 26. Washer - Drum Arm - 2 | 48. Arm - Ldefr Drum - 1 |
| 27. Assembly - Cartridge - 2 | |

DRUM COVERS SECTION C



GALAXY DRUM ASSEMBLY SECTION D



16. Pad - Rubber Drum - 1

28. Bearing - 6205 - 2

44. Shaft - Drum - 1

45. Key 3/16x7/8x15/16 - 1

46. Key 5/32x5/8 Woodruff -1

49. Drum - Galaxy 506 - Angle Slot - 1

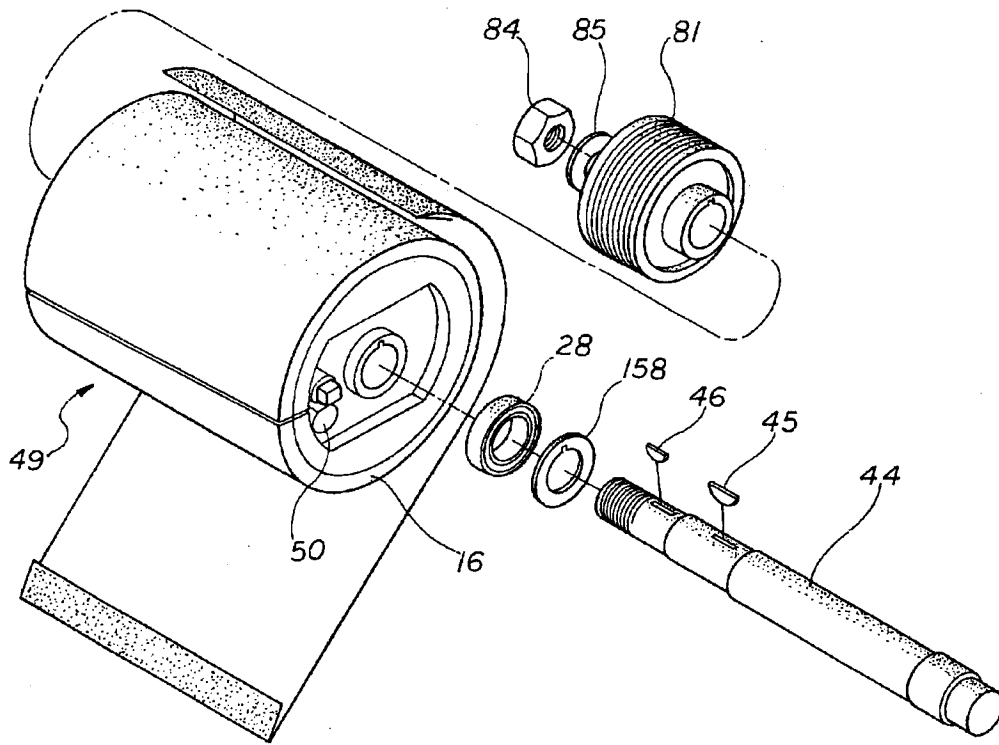
50. Tighteners - Paper -2

81. Pulley - Drum - 1

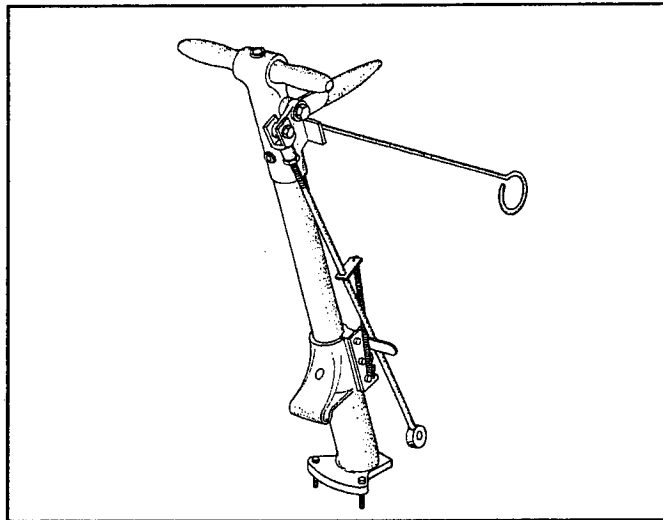
84. Nut - 7/8 - 14 Hex Jam - 1

85. Washer - #1134 Shakeproof - 1

GALAXY DRUM ASSEMBLY SECTION D

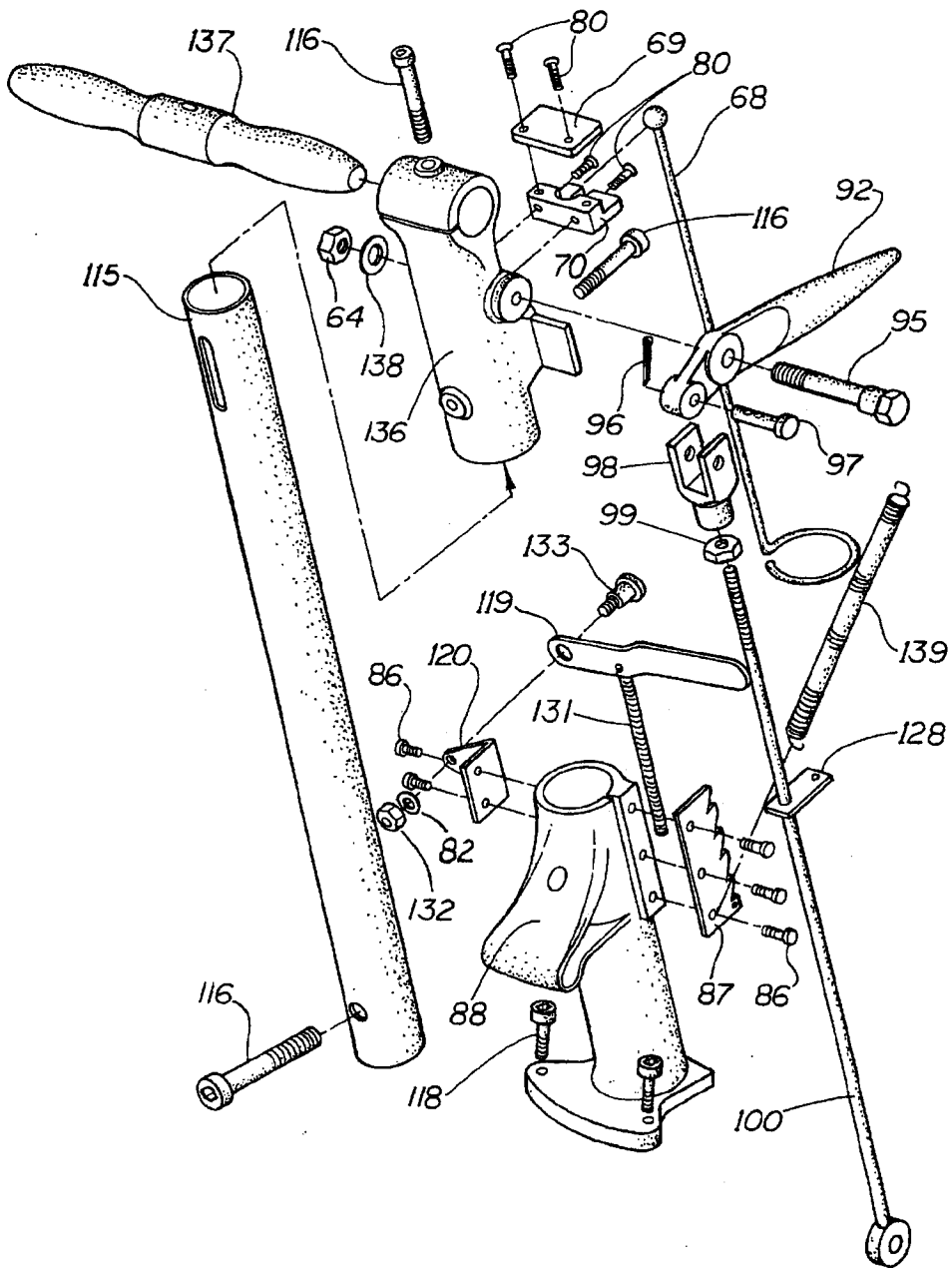


CONTROL LEVER AND SPRING ADJUSTMENTS SECTION E

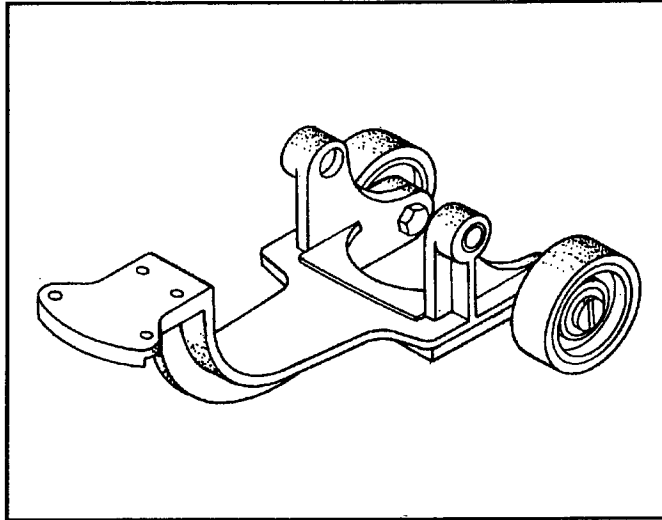


- | | |
|---|---|
| 64. Nut - 3/8 -24 Hex Jam - 1 | 100. Rod - Control Handle Assembly - 1 |
| 68. Rod - Cable Support - 1 | 115. Tube - Handle - 1 |
| 69. Bracket-Top Cable Support Assembly - 1 | 116. Screw - 3/8 - 16x2 1/2 Soc. Cap. - 3 |
| 70. Bracket-Bottom Cable Support Assembly-1 | 118. Screws 5/16 - 18 x 1 1/4 Soc. Cap. - 2 |
| 80. Screw - 1/4 - 20x3/4 Soc. Cap. - 4 | 119. Lever - Pressure Control -1 |
| 82. Washer - Shake-proof - 1 | 120. Bracket - Pressure Lever - 1 |
| 86. Screw - #10 - 24x1/2 Soc. Cap. H.D. - 5 | 123. Plate - Spring Adjuster - 1 |
| 87. Plate - Pressure Control Ratchet - 1 | 132. Nut - 5/16 - 18 Hex - 1 |
| 88. Chassis - Upper Truck - 1 | 133. Stud - 3/8 Shoulder Soc. Cap. - 1 |
| 92. Handle - Control - 1 | 134. Spring - Pressure Control - 1 |
| 95. Stud - Control Handle - 1 | 135. Screw - 5/16x2 1/4 Soc. Cap. - 1 |
| 96. Pin - Cotter 3/32x3/4 - 1 | 136. Bracket - Handle - 1 |
| 97. Pin - Clevis - 1 | 137. Handle - Grip |
| 98. Yoke - Control Handle Rod - 1 | 138. Washer - Shake-proof #1120 - 12 |
| 99. Nut - 3/8 - 16x5/16 Hex - 1 | 139. Spring - 1 |

CONTROL LEVER AND SPRING ADJUSTMENTS SECTION E



WHEEL CARRIAGE ASSEMBLY SECTION F



56. Wheel - Front - 2

61. Washer - Shake Proof - 2

62. Nut - 1/2 - 20 Hex Jam - 2

90. Bearing - Needle - 2
M-12121 or BCE 12121

91. Chassis - Lower Truck - 1

162. Ring - Retaining - 4

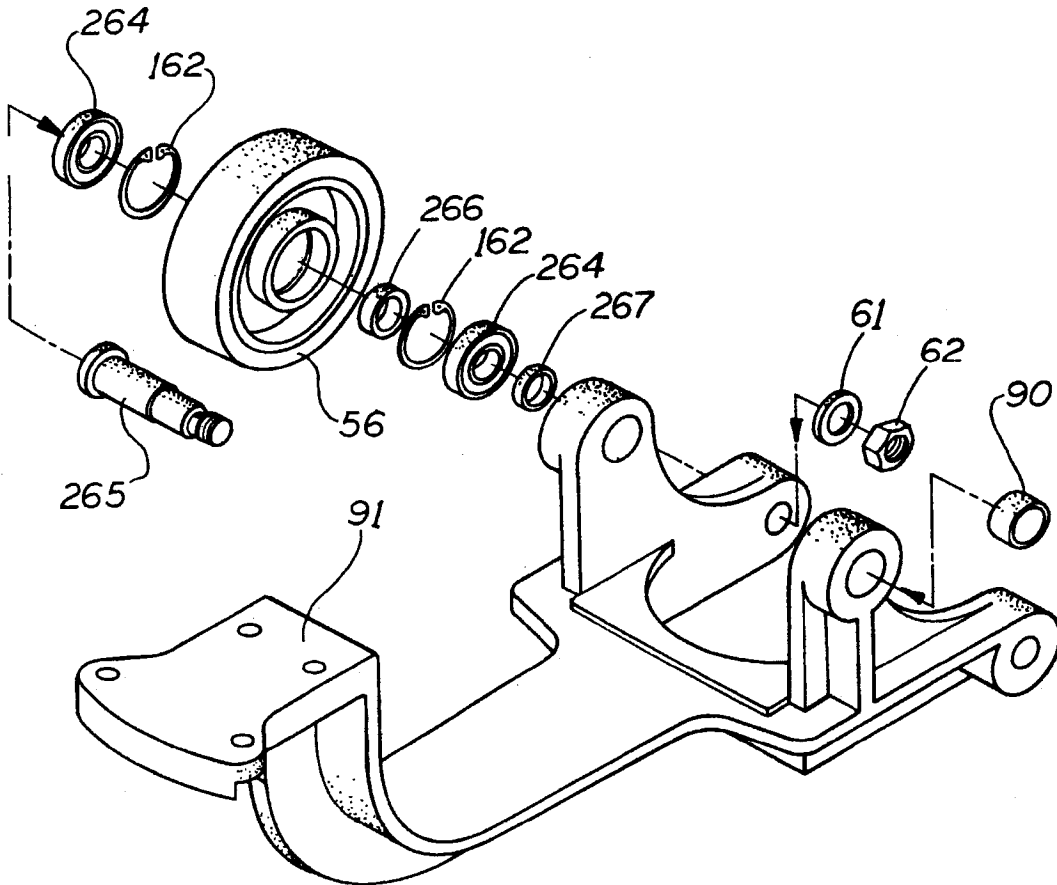
264. Bearing - Ball 6003 2RS - 4

265. Shaft - Front Wheel - 2

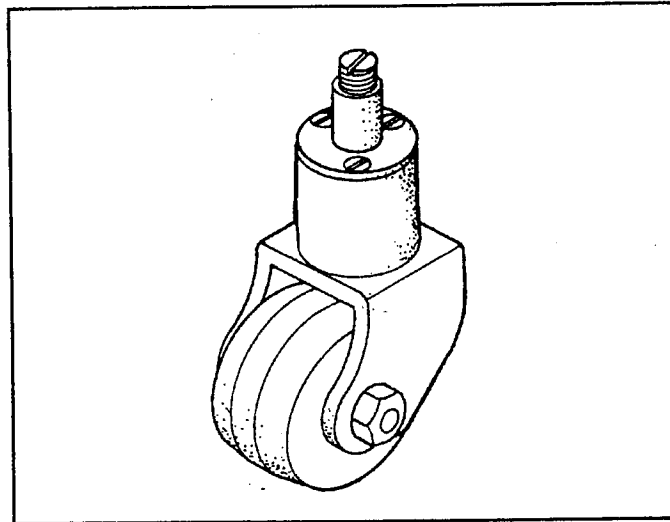
266. Collar - Wheel Spacer - 2

267. Collar - Front Wheel Spacer - 2

WHEEL CARRIAGE ASSEMBLY SECTION F

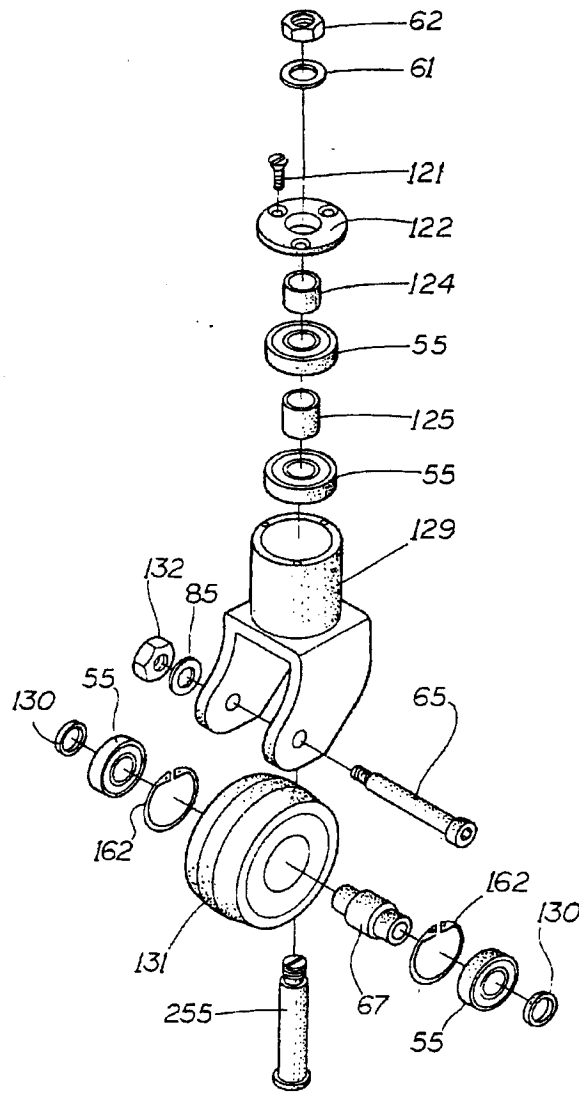


REAR WHEEL ASSEMBLY SECTION H

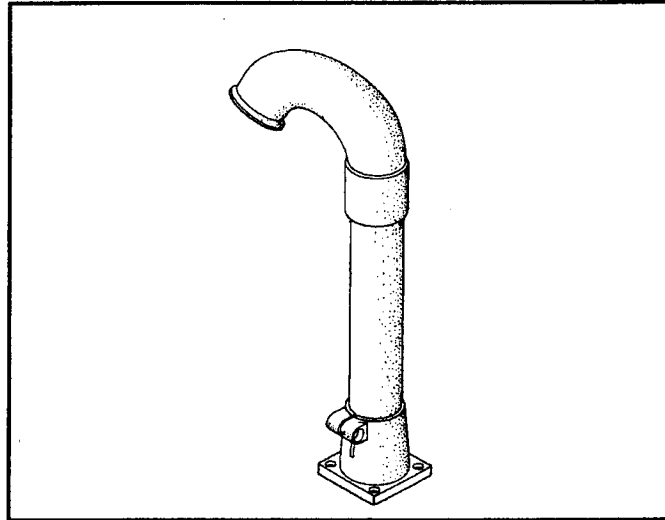


- | | |
|--|----------------------------------|
| 55. Bearing - Ball 6202 2RS - 4 | 125. Collar - long - 1 |
| 61. Washer - Shake-proof - 1 | 129. Yoke - 1 |
| 62. Nut - 1/2 - 20 Hex Jam - 1 | 130. Spacer - Caster Collar - 2 |
| 65. Shaft - Caster Wheel - 1 | 131. Wheel - Caster - 1 |
| 67. Sleeve - Caster Wheel - 1 | 132. Nut - 5/16 - 18 Hex Jam - 1 |
| 85. Washer - Shake-proof - 1 | 162. Ring - Retaining - 2 |
| 121. Screw - #8 - 32x1/2 F.H. Machined - 3 | 255. Shaft - Swivel - 1 |
| 122. Cover - Caster Yoke - 1 | |
| 124. Collar - short - 1 | |

REAR WHEEL ASSEMBLY SECTION H



DUST PIPE ASSEMBLY SECTION H



71. Elbow - Swivel - 1

72. Pipe - Dust - 1

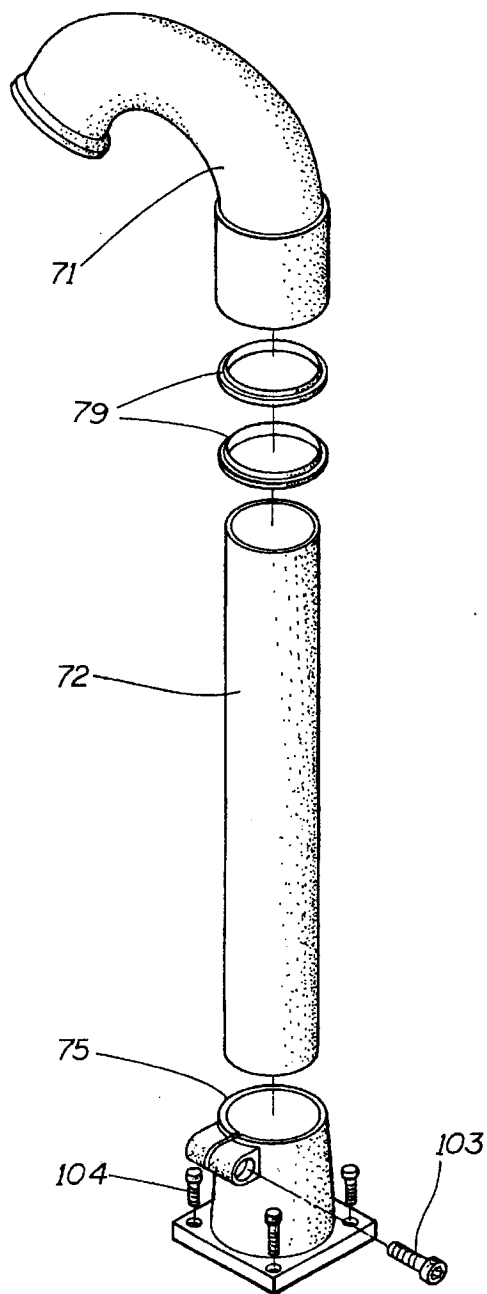
75. Bracket - Dust - 1

79. Seal - Elbow - 2

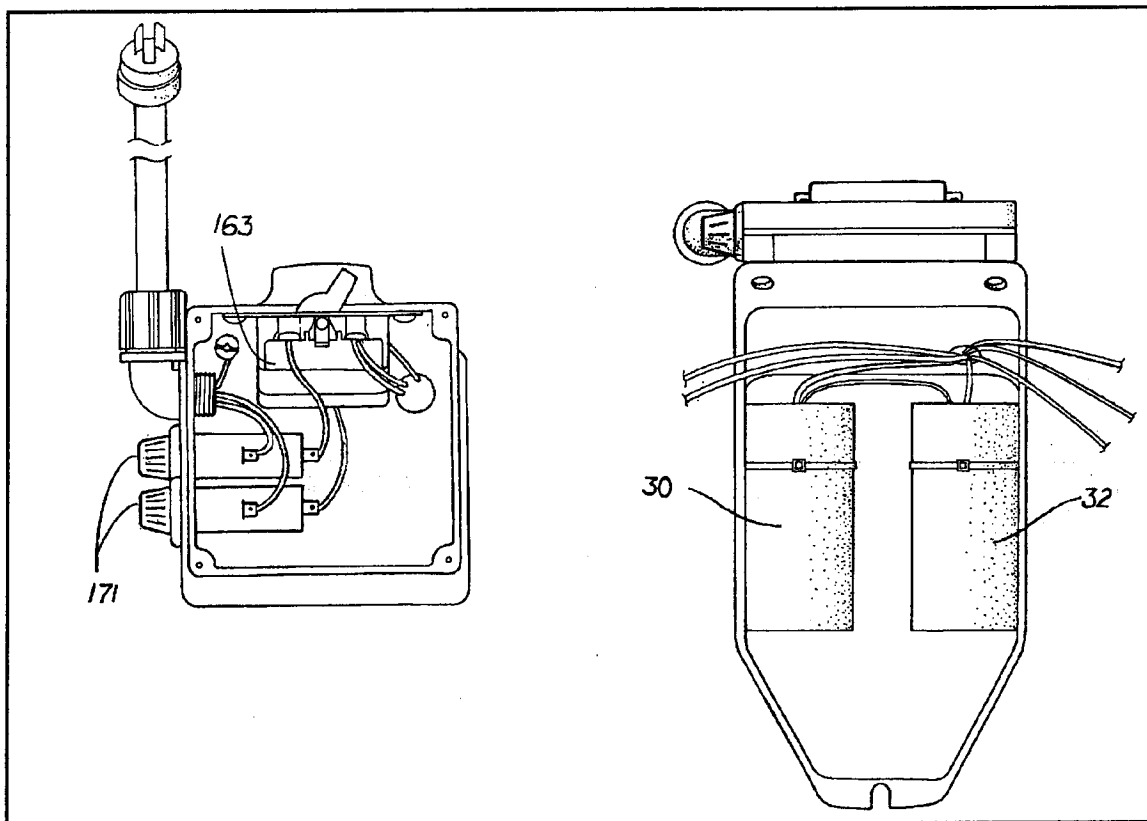
103. Screw - 3/8- 16 x 1 1/4" Soc. Cap - 1

104. Screw - 1/4" - 20 x 5/8" Soc. H.D. - 4

DUST PIPE AND ELBOW ASSEMBLY SECTION H



ELECTRICAL SECTION I



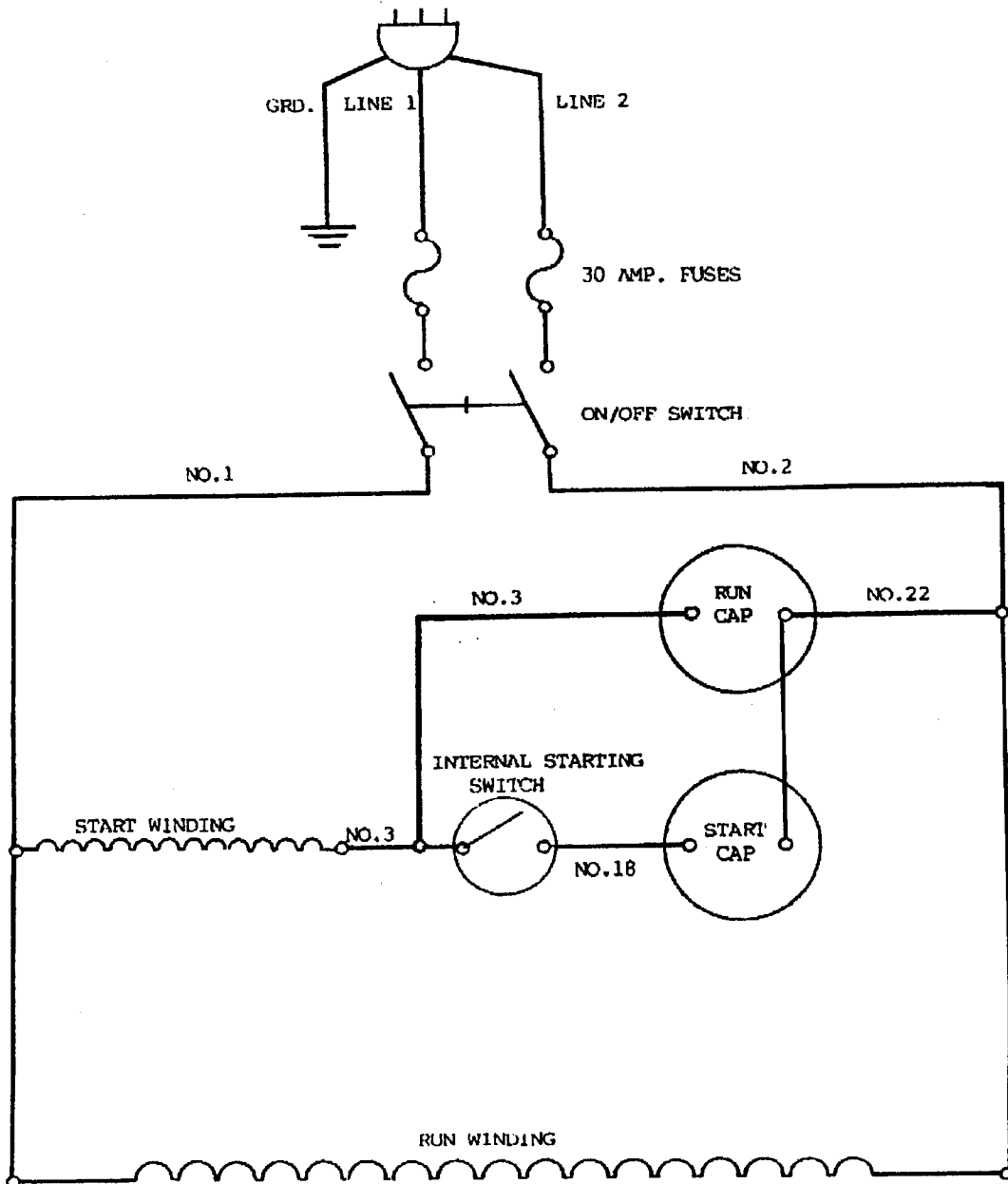
30. Capacitor - starting 380MF

32. Capacitor - running 40MF

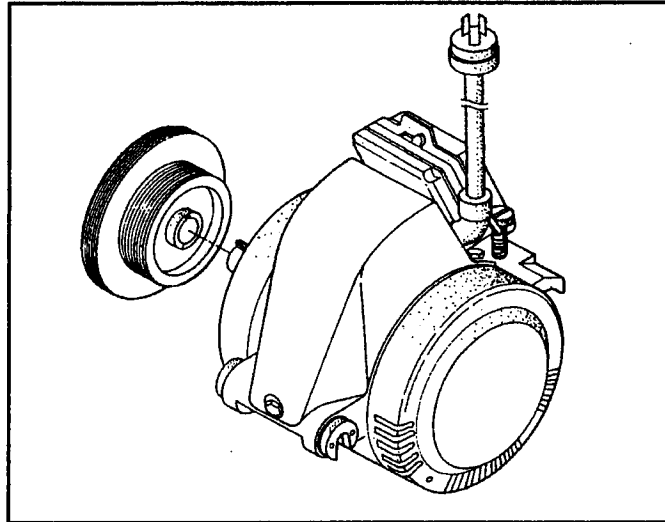
163. Switch - on/off

171. Holder - fuse assembly

ELECTRICAL SECTION I

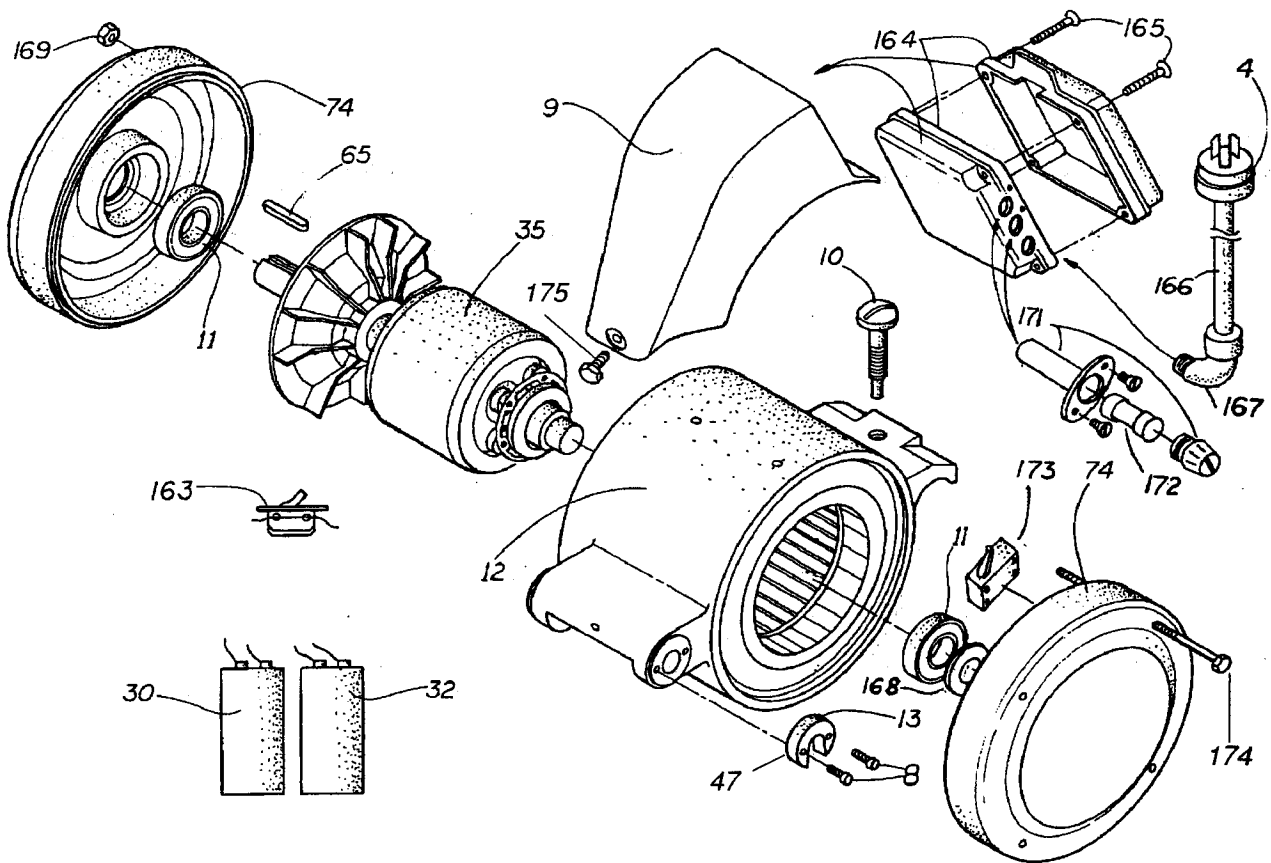


MOTOR ASSEMBLY SECTION J

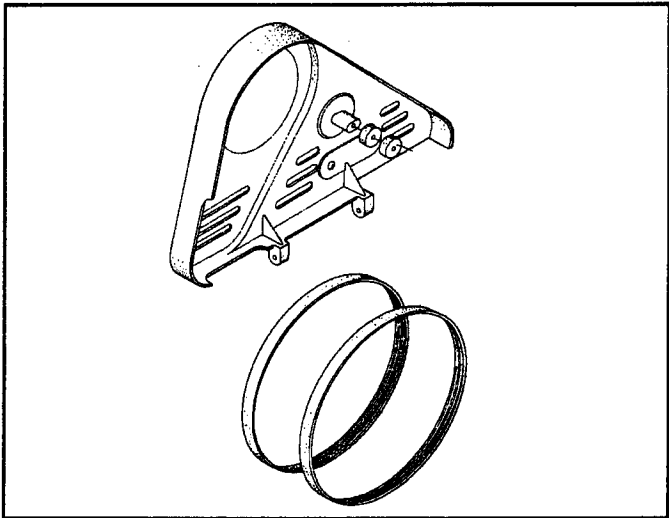


- 04. Plug - Male - 1
- 07. Support - Motor - 1
- 08. Screw - 1/4 - 20x3/4 - 1
- 09. Cover - Switch Assembly - 1
- 10. Screw - Motor Adjust - 1
- 11. Bearing - 6206 2Rs - 2
- 12. Housing - Motor Assembly - 1
- 30. Capacitor - Starting 380MF 260V - 1
- 32. Capacitor - Running 40MF 440V - 1
- 35. Rotor - Assembly
- 47. Plate - Motor release pin guide - 2
- 59. Screw - 1/4 - 20x3/4 - 1
- 60. Key - 1/4x1.5 - 1
- 74. Bell - End - 2
- 163. Switch - Off/On - 1
- 164. Box - Switch Assembly - 1
- 165. Screw - 8-32x1 1/4 F.H. Machined - 1
- 166. Cord - Pig Tail - 1
- 167. Retainer - Cord - 1
- 168. Washer - Spring - 1
- 169. Nut - 1/4-20 - 3
- 171. Holder - fuse assembly
- 172. Fuse - 30amp.
- 173. Switch - internal starting.
- 174. Motor Bolt - 4.
- 175. Cover Bolt - 1

MOTOR SECTION J



DRIVE BELT AND COVER SECTION K



146. Screw - Belt Cover Retaining - 1

148. Spacer - Rubber - 2

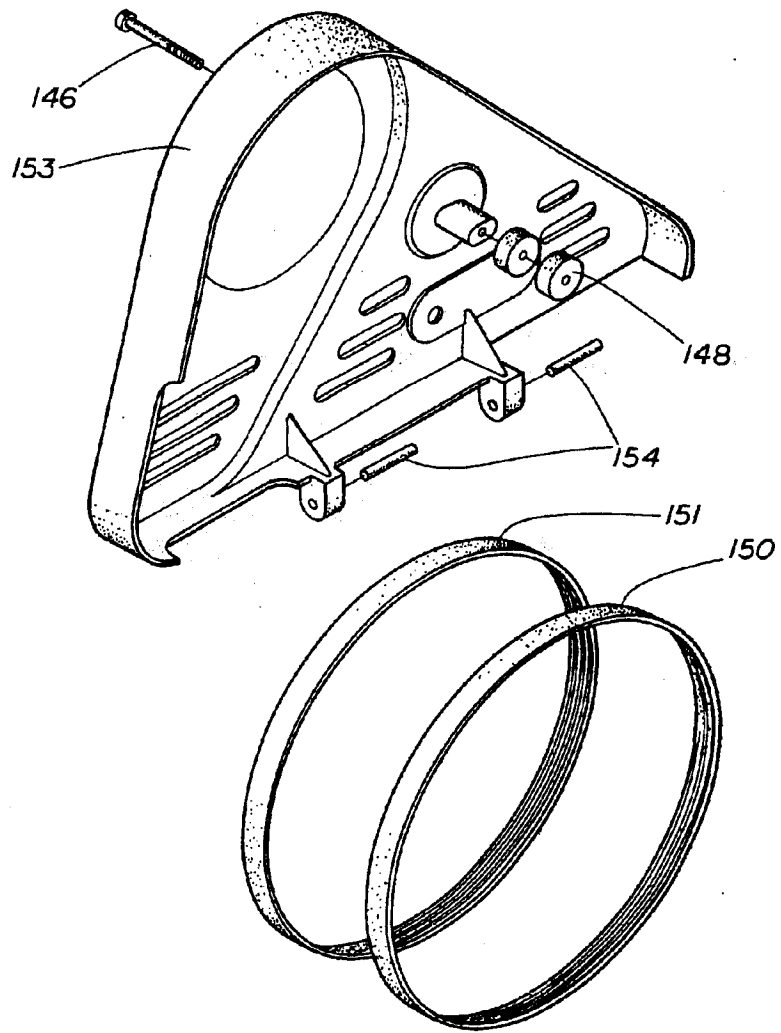
150. Belt - Fan - 1

151. Belt - Drum - 1

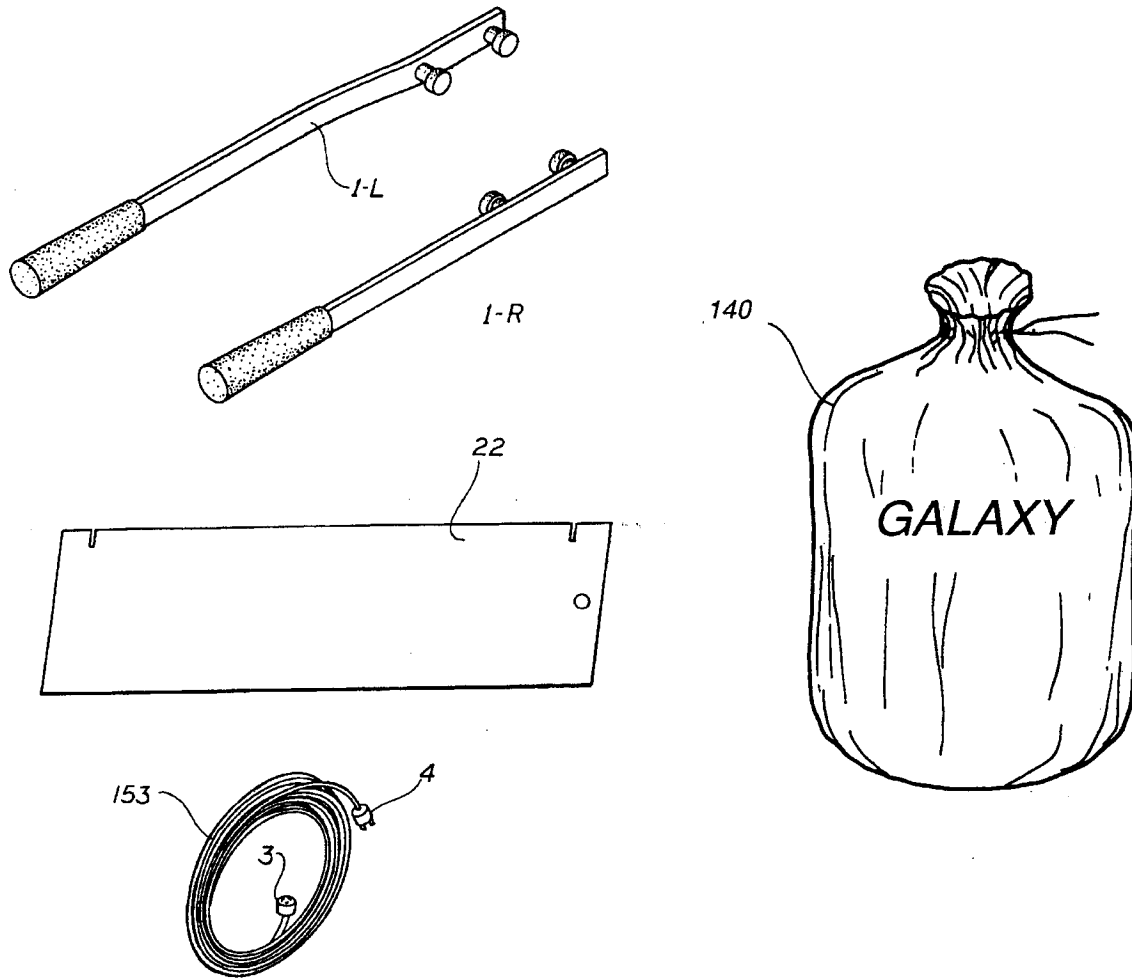
154. Pin - 3/16x1 1/2 - 2

156. Guard - Belt - 1

DRIVE BELTS AND COVER SECTION K



CARRYING HANDLES & POWER CORD SECTION L



22. Template - Paper Cutting

Carrying Handles 1 Right 1 Left

153. 83 ' Power Cord

04. 3 prong 220 volt male receptacle

03. Female receptacle.

140. Dust Bag.